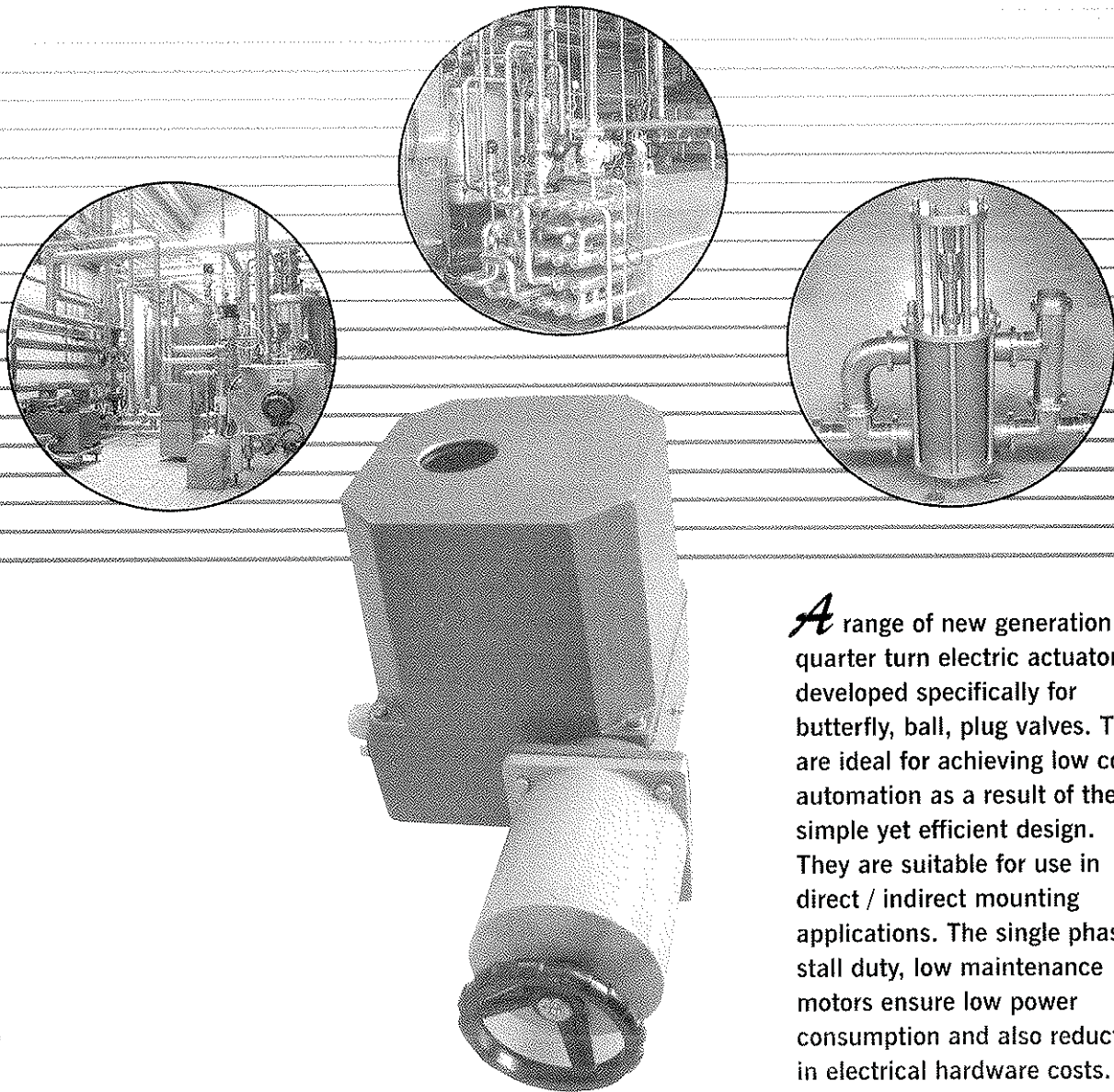


# RT Series



Rite Torq

## Compact, Efficient Single Phase Quarter Turn Actuators



*A* range of new generation quarter turn electric actuators developed specifically for butterfly, ball, plug valves. They are ideal for achieving low cost automation as a result of their simple yet efficient design. They are suitable for use in direct / indirect mounting applications. The single phase, stall duty, low maintenance motors ensure low power consumption and also reduction in electrical hardware costs.

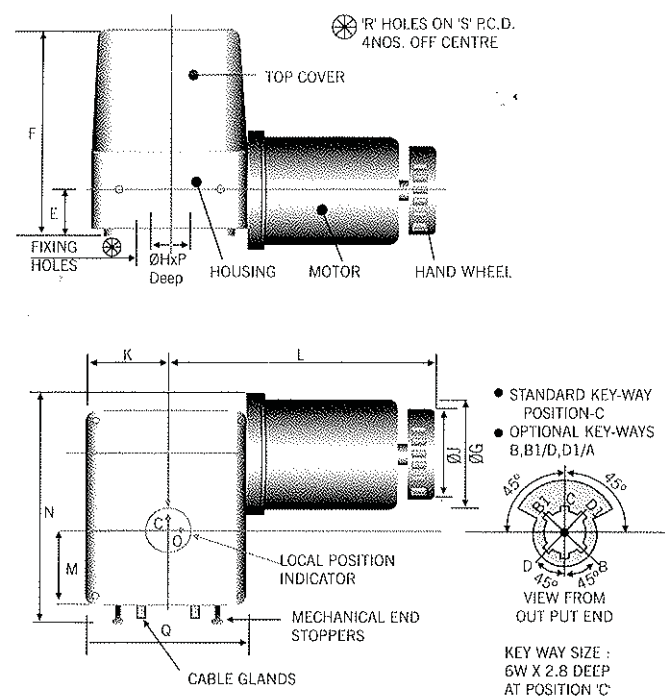
Applications may be ON/ OFF type, regulating or remote monitoring type, the solution is RT Series Electric Actuators from RDS – innovators in automation solutions.

# RITETORK ACTUATORS

# Technical Specification

Actuator Data	Models				
	RT3	RT5	RT10	RT20	RT30
Rated Output torque kg m	3	5	10	20	30
Operation speed sec/90°	18	18	20	26	32
Switching frequency Operations/hour	2000 1200				
a) Short time					
b) Normal					
Weight kg	11	14	23	27	35
Degree of protection	IP 65 / IP 67				
Area of operation	Safe				

Actuator Data	Models				
	RT3	RT5	RT10	RT20	RT30
Type	Non blocking A.C. Motor				
SupplyL Std.	220 V AC Hz Single Phase				
Optional	110 V AC 50 Hz Single Phase				
Output Watts	40	120	240	450	370
Nominal Current	150mA	500mA	1A	2A	2.5A
Class of Insulation	F				
Ambient Temp °C	45				



## Dimension Details

Model	E	F	G	H	J	K	L	M	N	P	Q	R & S
RT3	32	180	108	30	85	70	240	70	220	33	140	4 Holes M6x12 deep On 50 PCD off centre and 4 Holes M8x12 deep On 70 PCD off centre
RT5	32	180	108	30	85	80	250	80	230	33	160	
RT10	37	260	108	30	85	105	325	62	275	40	190	4 Holes M8x15 deep On 70 PCD off centre and 4 Holes M10x15 deep On 102 PCD off centre
RT20	57	300	108	30	85	125	400	63	275	40	290	
RT30	57	330	108	30	85	125	480	63	275	40	290	

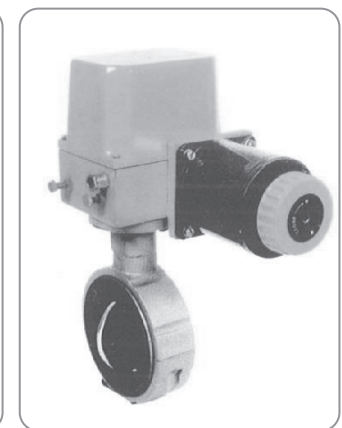
## Accessories

### Standard

- Limit switches (1NO + 1NC) - 2 Nos. (Rating 10 A-250 VAC)
- Hand wheel
- Local positing indicator
- Adjustable mechanical stoppers
- IP 65 Protection

### Optional

- Auxilliary limit switches - (1 NO + 1NC) - 4 Nos.
- Torque limit switches (1NO + 1NC) - 2 Nos. (for QT10 & QT20)
- Three position switch for ON/OFF operation Field/Panel Mounted
- Feed back Potentiometer
- Valve positioner - Field / Panel mounted Input : 4-20 mA/0-10 V DC. Output : Proportional
- Wireless Module for Remote Connectivity
- Two wire transmitter field/Panel mounted  
Input : From potentiometer in actuator - 100 to 235 ohms or 0-1000 ohms Output : 4-20 mA - Two wire
- IP 67 Protection
- Remote position indicator - Digital
- Space heater
- Special accessories on request.



## RITETORK MOTORISED VALVE

Integrated unit comprising of Actuator with L&T / Intervalve / Leader / Upadhyay / Kirloskar / Kejriwal valve

\*subject to technical modification without notice



# RITETORK

Mfg. by

**Recktronic Devices & Systems - RDS**

Regd. Office : 2/22, Shalmali Society, Ghokhale Nagar, Pune - 411 053.

132/2, Jeevan Nagar, Mumbai Bangalore Highway, Tathawade, Pune - 410033 Tel/Fax : 020 - 6473 0227 / 8 / 9 / 30